

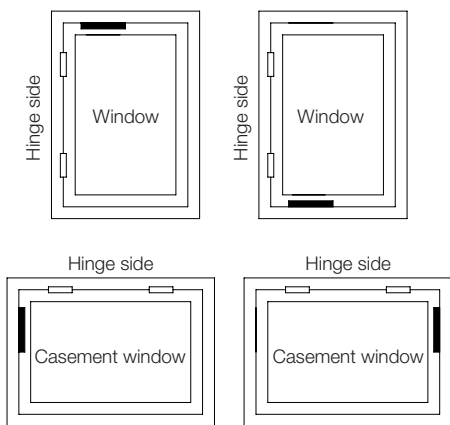
Manual INTERSTEEL Restrictors

Use

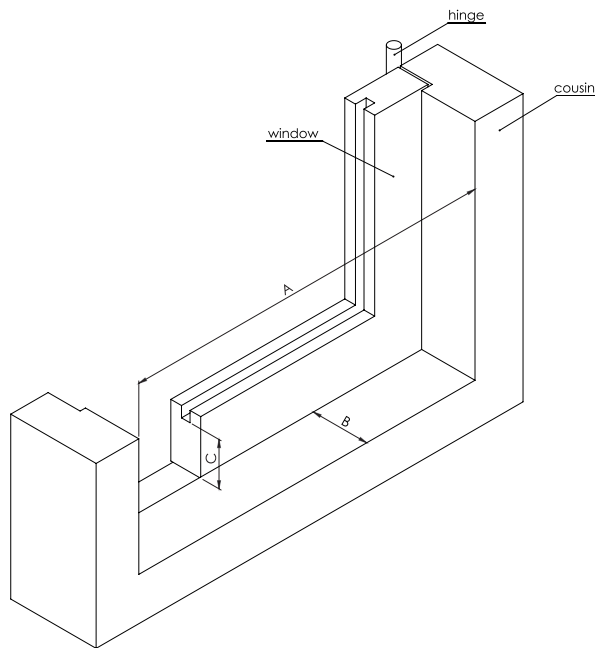
The INTERSTEEL restrictors are suitable for (casement) windows and doors which open outward. For a casement window with a width of more than 1000 mm it is recommended to mount a second restrictor.

⚠ At moderate wind (more than wind 4 Beaufort) it is advised not to leave the door or window open.

Where to mount



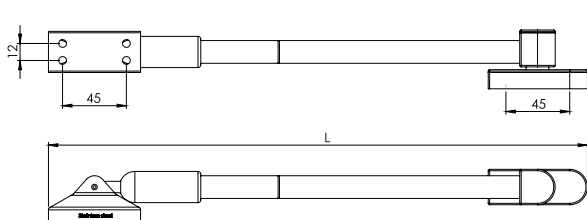
▬ = Restrictor



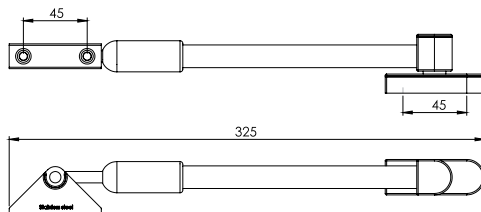
Mounting distance (mm)

| | A | B | C |
|-------------|-----------|----|----|
| 00xx.56714y | 500 - 600 | 40 | 35 |
| 00xx.56715y | 600 - 750 | 40 | 40 |
| 00xx.56716y | 750 - 900 | 40 | 40 |

Product sizes



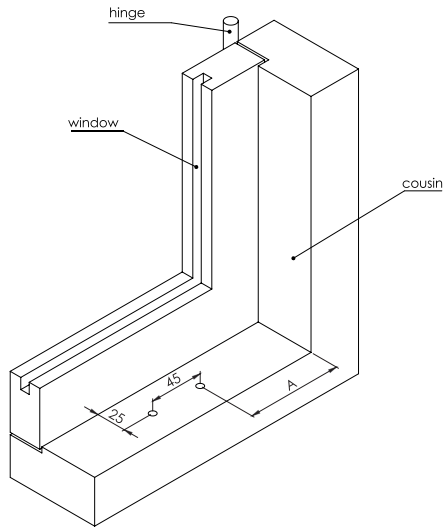
00xx.56715y L = 375 mm
00xx.56716y L = 518 mm



00xx.56741y

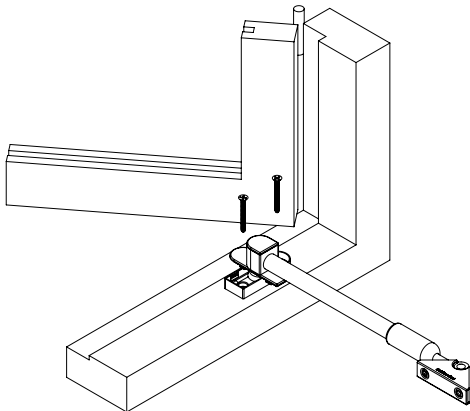
Mounting Instructions

1. Check the needed space to mount the product.
2. Mark the screw holes on the cousin as it is shown in the drawing instruction below.

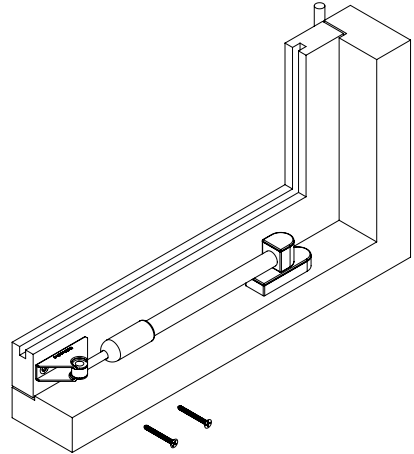


| | |
|-------------|------------|
| 00xx.56741y | A = 100 mm |
| 00xx.56715y | A = 120 mm |
| 00xx.56716y | A = 140 mm |

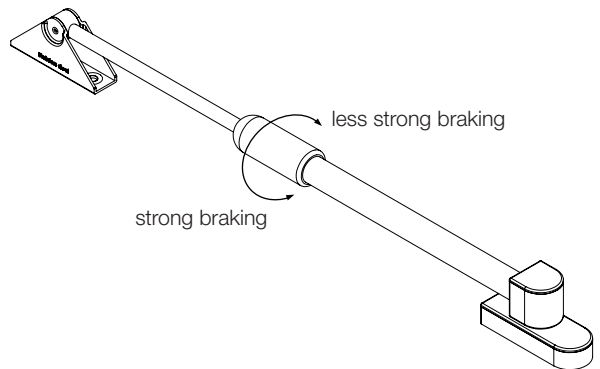
3. Before you use the screws, drill the holes for in the cousin with a 2 mm drill.
4. Open the window and mount the restrictor on the cousin with 2 screws 4.0 x40 mm.



5. Close the window and push the restrictor inwards as much as possible. Put the restrictor against the window and mark the mounting holes.
6. Drill the holes for in the window with a 2 mm drill and mount the restrictor on the window with 2 or 4 screws 4.0 x 30 mm.



7. Set the braking one-off by using the turn button. You don't need to turn the restrictor while opening and closing the window.





Version 2012-11

Utrechtsestraatweg 220 • NL-3911 TX Rhenen • P.O. Box 128 • NL-3910 AC Rhenen • The Netherlands
T +31 (0)318 - 47 77 77 • **F** +31 (0)318 - 47 77 78 • **E** info@intersteel.nl • **W** www.intersteel.nl

0099.999982