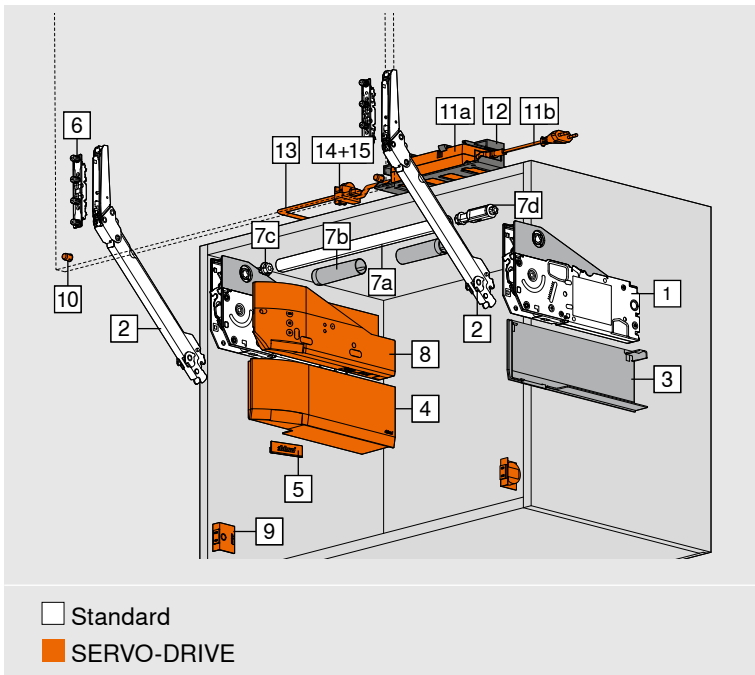


AVENTOS HL top

Technical data sheet





- Ideal for small one-part fronts
- Cabinet height 300-580 mm
- Cabinet width up to 1800 mm
- Internal depth of at least 264 mm
- Integrated BLUMOTION setting
- SERVO-DRIVE electrical motion support system
- Light operating forces
- Variable stop
- Standardised position of the lift mechanism and front fixing bracket
- Symmetrical lift mechanism and lever arm
- Tool-free assembly
- Two lift mechanism fixing methods
- 3-dimensional adjustment of the front

Ordering information

1	<input type="checkbox"/>	Lift mechanism	Fixing with pre-mounted system screws	
	<input type="checkbox"/>		KH (mm)	2 x
	<input type="checkbox"/>		300-389	22L2211
	<input checked="" type="checkbox"/>		390-580	22L2511
KH Cabinet height				
Symmetrical lift mechanism				
Incl. pre-mounted system screws				

1	<input type="checkbox"/>	Lift mechanism	Fixing with chipboard screws with positioning system	
	<input type="checkbox"/>		KH (mm)	2 x
	<input type="checkbox"/>		300-389	22L2201
	<input checked="" type="checkbox"/>		390-580	22L2501
KH Cabinet height				
Symmetrical lift mechanism				
Incl. positioning system				

2	<input type="checkbox"/>	Lever arm	Colour		Material	
	<input type="checkbox"/>		NI	Steel		
	<input type="checkbox"/>		KH (mm)	FG (kg)	2 x	
	<input type="checkbox"/>		300-339	1.50-9.00	22L3201	
	<input type="checkbox"/>		340-389	1.75-10.00	22L3501	
	<input type="checkbox"/>		390-540	2.00-12.25	22L3801	
	<input checked="" type="checkbox"/>		480-580	2.50-14.00	22L3901	
FG Front weight including handle weight						
KH Cabinet height						
Symmetrical lever arm						

3	<input type="checkbox"/>	Cover cap right	Colour		Material		
	<input type="checkbox"/>		SW, HGR, TGR	Nylon	22.8001		
	<input checked="" type="checkbox"/>						

-	<input type="checkbox"/>	Cover cap left	Colour		Material		
	<input type="checkbox"/>		SW, HGR, TGR	Nylon	22.8001		
	<input checked="" type="checkbox"/>						

5	<input checked="" type="checkbox"/>	SERVO-DRIVE cover cap left	Colour		Material		
	<input checked="" type="checkbox"/>		SW, HGR, TGR	Nylon	23.8001		
	<input type="checkbox"/>						

5	<input type="checkbox"/>	Branding element	Material		Colour		
	<input type="checkbox"/>		Nylon	SW-M, TGR	IN-G		
	<input type="checkbox"/>		Printed *	2 x	ABD.1000.BL	ABD.1009.BL	
	<input type="checkbox"/>		Embossed *	2 x	ABD.1000.BT	ABD.1009.BT	
<input type="checkbox"/>	Plain	2 x	ABD.1000	ABD.1009			
* With Blum logo							

- From 1000 pcs:**
Customised, printed branding element
- From 5000 pcs:**
Customised, embossed branding element

Colours and material

Name			
SW	Silk white	NI	Nickel plated
HGR	Light grey	IN-G	In-mould brushed stainless steel
TGR	Dark grey		

Ordering information

6		Front fixing bracket		
	Version	Fixing method	2x	
	Wooden fronts and wide aluminium frames	Screw-on ¹	20S4201	
		EXPANDO	20S42E1	
Knock-in	20S4231			

¹ Use 4 chipboard screws (609.1x00) per side for wooden fronts.
Use 4 countersunk self-tapping screws (660.0950) per side for wide aluminium frames.

6		Front fixing bracket		
	Version	Fixing method	2x	
	Narrow aluminium frames	Screw-on ²	20S4201A	

² Incl. 4 x countersunk self-tapping screws – 660.0950

6		Front fixing bracket		
	Version	Fixing method	2x	
	Thin fronts	EXPANDO T	20S42T1	

7		Cross stabiliser, pre-assembled		
	Cabinet width (mm)			
	600		22Q449M	
	800		22Q649M	
	900		22Q749M	
	1000		22Q849M	
	1200		22Q1049M	

Consisting of:

1 x	Cross stabiliser
2 x	Cross stabiliser cover cap
1 x	Adapter for cross stabiliser rod
1 x	Length adapter for cross stabiliser

Note

For side panel thicknesses 15–19 mm

Alternative to 7

7a		Cross stabiliser		
	Length (mm)			
	1076 mm		22Q1076U	

Cabinet width up to 1200 mm

Side panel thickness 15–19 mm	KB - 151 mm
Side panel thickness 20–25 mm	KB - 161 mm
LW Internal cabinet width	
KB Cabinet width	

7b		Cross stabiliser cover cap		
	Colour	Material	2 x	
	TGR	Nylon	22Q0003	

7c		Adapter for cross stabiliser rod		
	Material			
	Zinc		22Q0002	

7d		Length adapter for cross stabiliser		
	Material			
	Zinc		22Q0004	

-		Connecting piece for cross stabiliser		
	Material			
	Zinc		22Q080Z.1	

Recommended from an internal cabinet width \geq 1190 mm or a cabinet width \geq 1228 mm

-		Cross stabiliser fixing		
	Colour	Material		
	TGR	Nylon	22Q0007	

Recommended from an internal cabinet width \geq 1190 mm or a cabinet width \geq 1228 mm

8		Drive unit		
	Colour	Material		
	TGR	Nylon	23.A001	

We recommend one drive unit per set for connected fronts.

9		SERVO-DRIVE switch		
	Colour	Material	2 x	
	SW, HGR, TGR	Nylon	23P5020	

Incl. battery

10		Blum distance bumper		
	Colour	Material	4 x	
	R7037	Nylon		
	\varnothing 5 mm		4 x 993.0530	
	\varnothing 8 mm		4 x 993.0830.01	

Colours and material

Name	
SW	Silk white
HGR	Light grey
TGR	Dark grey
R7037	RAL 7037 dust grey

Ordering information

11 SERVO-DRIVE power supply unit incl. flex					
Market	Language package		Market	Language package	
E	A	Z10NE04EA	I	A	Z10NE04IA
E	B	Z10NE04EB	K	I	Z10NE04KI
E	C	Z10NE04EC	N	H	Z10NE04NH
E	D	Z10NE04ED	R	H	Z10NE04RH
E	E	Z10NE04EE	S	K	Z10NE04SK
E	F	Z10NE04EF	T	H	Z10NE04TH
E	I	Z10NE04EI	U	G	Z10NE04UG
B	A	Z10NE04BA	U	J	Z10NE04UJ
B	I	Z10NE04BI	Z	I	Z10NE04ZI
H	I	Z10NE04HI			
Consisting of:					
11a	1 x	SERVO-DRIVE power supply unit Incl. operating and installation instructions			
11b	1 x	Flex Length 1.5–1.8 m, incl. plug			

12 Power supply unit housing			
		Colour	Material
		WGR	Nylon
			Z10NG120
For SERVO-DRIVE power supply unit			

- SERVO-DRIVE plug-in power supply unit					
Only suitable for one drive unit					
Market	Language package		Market	Language package	
E	A	Z10NA40EA	E	F	Z10NA40EF
E	B	Z10NA40EB	B	A	Z10NA40BA
E	C	Z10NA40EC	K	I	Z10NA40KI
E	D	Z10NA40ED	N	H	Z10NA40NH
E	E	Z10NA40EE	U	G	Z10NA40UG
Item available on request					
Consisting of:					
-	1 x	SERVO-DRIVE plug-in power supply unit Incl. cable, 1120 mm (with SERVO-DRIVE distribution cable extendible to max. 2000 mm) Incl. operating and installation instructions			

Accessories

13 SERVO-DRIVE distribution cable			
		Colour	Length (m)
		SZ	6
		SZ	100
			Z10K600A
			Z10K1HMA
For cutting to size			
14 Connecting node			
		Colour	Material
		SZ	Nylon
			Z10V1000.01
15 Cable end protector			
		Colour	Material
		R7037	Nylon
			Z10K0008
- Cable holder			
		Colour	Material
		WS	Nylon
			Z10K0009
E.g. for fixing the SERVO-DRIVE distribution cable			
- SERVO-DRIVE switch attachment			
		Colour	Material
		SW, HGR, TGR	Nylon
			2 x Z10P5216
For attaching the SERVO-DRIVE switch to the cabinet side without milling			

Markets and language packages

Name			
Markets		Language packages*	
E	Europa	A	DE, EN, FR, IT, NL
B	UK	B	DA, EN, FI, NO, SV
H	IN	C	EL, EN, HR, SR, SL, TR
I	IL	D	EN, ES, FR, IT, PT
K	AU	E	CS, HU, PL, SK
N	CN	F	BG, ET, LV, LT, RO, RU, UK
R	KR	G	EN, ES, FR
S	BR	H	EN, ZH, KO
T	TW	I	EN
U	US CA JP	J	JA
Z	ZA	K	EN, ES, PT

* Language descriptions as per ISO-639

Colours and material

Name			
WS	White	TGR	Dark grey
SW	Silk white	SZ	Black
WGR	White grey	R7037	RAL 7037 dust grey
HGR	Light grey		

Planning

Wooden fronts and wide aluminium frames

KB Cabinet width
KH Cabinet height
LT Internal cabinet depth

Narrow aluminium frames

KB Cabinet width
KH Cabinet height
LT Internal cabinet depth

Drilling position

System screws

Chipboard screws incl. positioning system

Space requirement

Lever arm	LH min. (mm) ¹
22L3201	255
22L3501	295
22L3801	345
22L3901	399

¹ Dimensions based on lower gap F = 0 mm
LH Internal cabinet height

Front setting

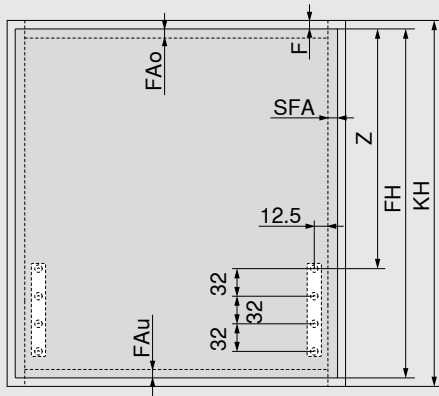
Lever arm	a (mm)	b (mm) ¹	c (mm)	Y (mm) ²
22L3201	112	272.5	155.5	272.5
22L3501	140.5	340	195	340
22L3801	176	425	245	425
22L3901	214.5	517	297.5	517

¹ Dimensions based on lower gap F = 0 mm
² Dimensions based on top gap F = 0 mm
KH Cabinet height

Planning

Front assembly

Wooden fronts and wide aluminium frames



Lever arm	Z
22L3201	113 + FAo
22L3501	153 + FAo
22L3801	203 + FAo
22L3901	256 + FAo

FAo Upper front overlay

FAu Bottom front overlay

F Gap

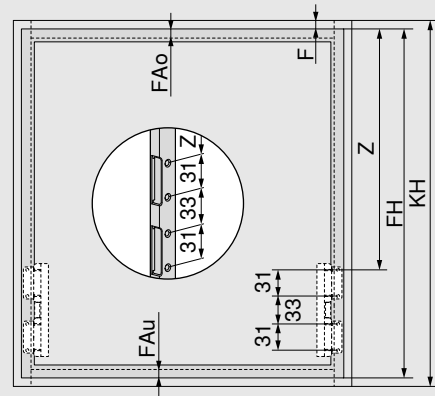
FH Front height

KH Cabinet height

SFA Side front overlay

Wall application: minimum 5 mm gap

Narrow aluminium frames



Lever arm	Z
22L3201	113.5 + FAo
22L3501	153.5 + FAo
22L3801	203.5 + FAo
22L3901	256.5 + FAo

FAo Upper front overlay

FAu Bottom front overlay

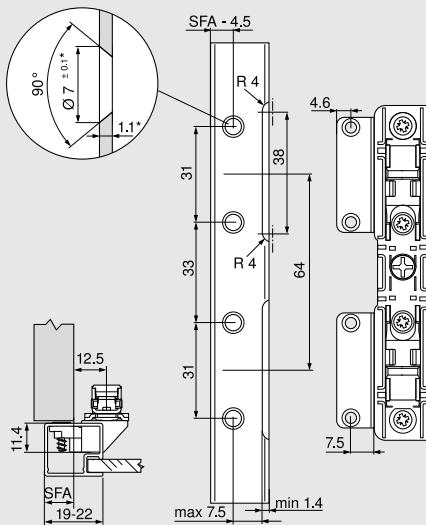
F Gap

FH Front height

KH Cabinet height

Wall application: minimum 5 mm gap

Narrow aluminium frames

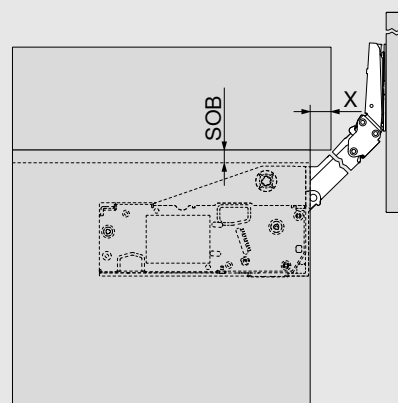


For frame width 19 mm, an SFA of 11-18 mm is possible.

* When changing material thickness, adjust the assembly dimensions accordingly

SFA Side front overlay

Space requirement – cornice | crown moulding



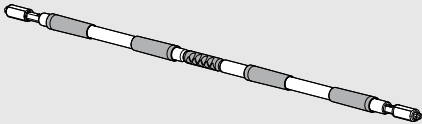
Top panel thickness (SOB)	X (mm)
16 mm	25
17 mm	26
18 mm	27
19 mm	28
20 mm	29

Planning

Extra wide applications

Cross stabiliser from an internal cabinet width ≥ 1190 mm or a cabinet width ≥ 1228 mm

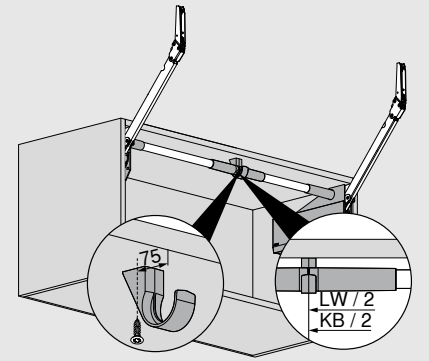
Cross stabiliser



Cabinet side panel thickness

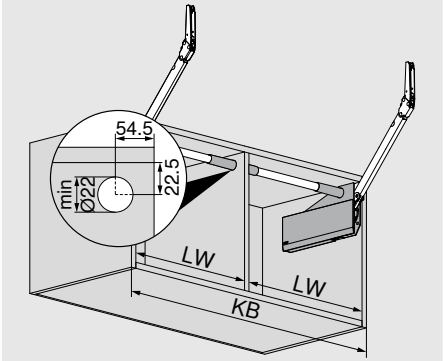
15–19 mm	20–25 mm
KB/2 - 151 mm	KB/2 - 161 mm
KB Cabinet width	

Cross stabiliser fixing



KB Cabinet width
LW Internal cabinet width

Version with dividing wall



KB Cabinet width
LW Internal cabinet width

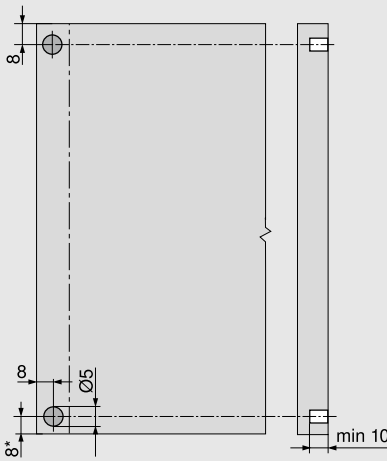
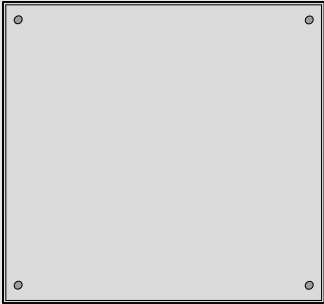


Find more information on assembly and adjustment of AVENTOS HL top at www.blum.com/hltopassembly

SERVO-DRIVE for AVENTOS HL top

Planning

Blum distance bumper (SERVO-DRIVE application only)



Insert Blum distance bumper (do not glue)

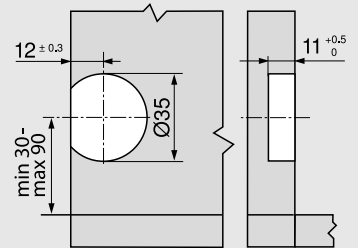
Recommendation for aluminium frames

Drill hole into cabinet side for Blum distance bumper

A trial application must be carried out if fixed to the front

* From cabinet bottom edge for fronts that protrude below

SERVO-DRIVE switch



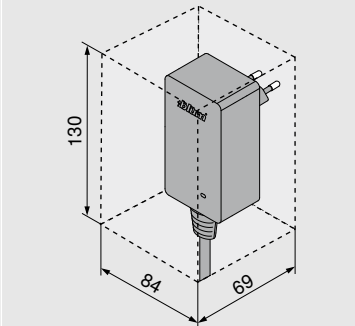
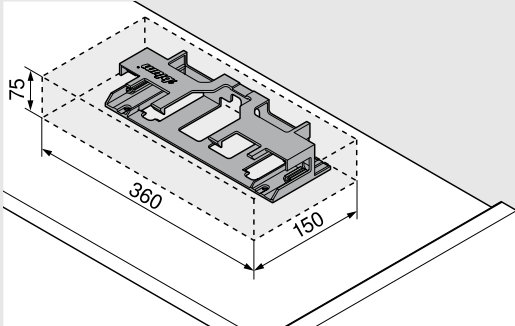
Our EASY ASSEMBLY app provides information about assembly and adjustment of AVENTOS HL top and SERVO-DRIVE

www.blum.com/eaapp

SERVO-DRIVE power supply unit and accessories

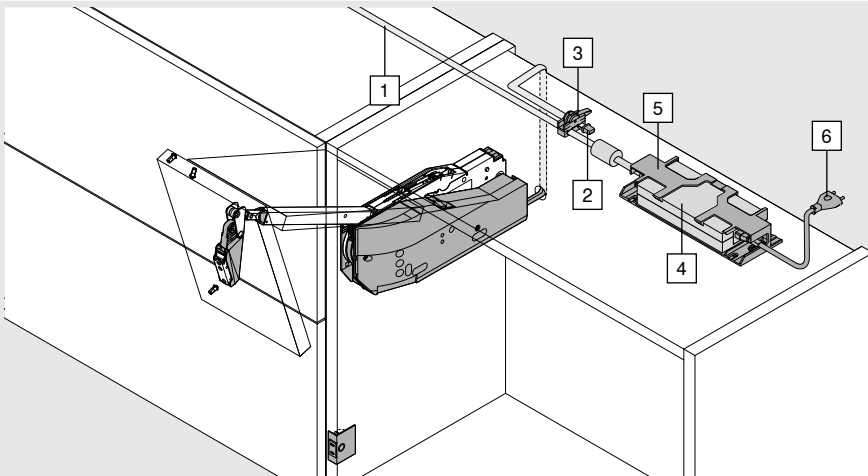
Planning

Space requirement and safety distance



i A safety distance of 30 mm must be maintained for air circulation (see graphic); otherwise, there is a risk that the SERVO-DRIVE power supply unit or SERVO-DRIVE plug-in power supply unit could overheat.

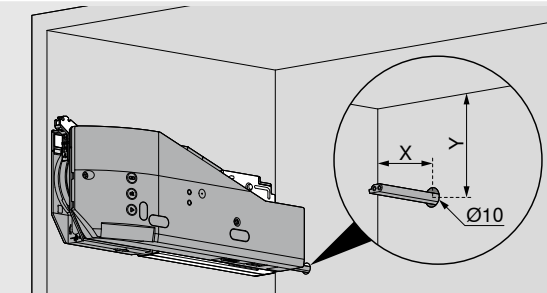
Assembly on the cabinet top panel



- 1 SERVO-DRIVE distribution cable
- 2 Connecting node
- 3 Cable end protector
- 4 SERVO-DRIVE power supply unit
- 5 Power supply unit housing
- 6 Flex

i Only one SERVO-DRIVE power supply unit can be connected to each SERVO-DRIVE distribution cable!

Back cabling



	X (mm)	Y (mm)
AVENTOS HL top	38.5	71



Find more information on assembly and adjustment of SERVO-DRIVE for AVENTOS top at www.blum.com/servodrive-aventos-assembly

Julius Blum GmbH
6973 Höchst, Austria
Tel.: +43 5578 705-0
Fax: +43 5578 705-44
E-mail: info@blum.com
www.blum.com

Our sites in Austria, Poland and China are certified to the international standards mentioned below.
Our site in the USA is certified to ISO 9001.
Our site in Brazil is certified to ISO 9001, ISO 14001 and ISO 45001.



ISO 9001
Certified Quality
System



ISO 14001
Certified Environmental
System



ISO 50001
Certified Energy
System

 **blum**®



Look for our
FSC™-certified
products

All content is copyrighted by Blum.
Subject to technical modifications and changes to the range without notice.
TD-145/2 EN-AL/07.24