



# Clamex P Medius

Center panel connector – perfect addition to Clamex P for panels 16-30mm

P-System




## Applications

- Center panels, starting from 16mm
- Join to thin panels, install Medius in the surface of a 12mm panel

## Function / advantages

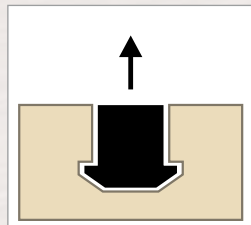
- Same groove position on both sides of the panel
- No off-setting of the grooves necessary
- Lateral tolerance +/- 1 mm

## Installation

- Groove depth 10mm with the Clamex P cutter, currently only available for CNC processing



fast



form-locking



aesthetic



flexible



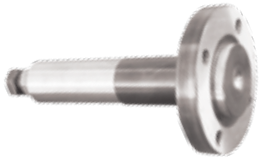
stackable

# Accessories

Art. No.



**Clamex P cutter** ..... **132142**  
 DP, 100.4 x 7 x 30 mm,  
 Holes 4/6.6/DTK 48 mm



**Cuttor arbor 30 / DTK 48 mm**  
 16 x 80 mm ..... **132152**  
 20 x 90 mm ..... **132150**  
 25 x 90 mm ..... **132151**



**CNC drill** ..... **131556**  
 6 mm, HW (solid carbide), for mitre joint,  
 L = 100/35 mm, Shaft = 10



**Cover caps**  
 RAL 9010, 100 piece ..... **335280**  
 RAL 9011, 100 piece ..... **335281**  
 RAL 1014, 100 piece ..... **335282**  
 RAL 1011, 100 piece ..... **335283**  
 RAL 8007, 100 piece ..... **335284**  
 RAL 7031, 100 piece ..... **335288**  
 RAL 7040, 100 piece ..... **335287**  
 RAL 7035, 100 piece ..... **335286**  
 RAL 9002, 100 piece ..... **335285**



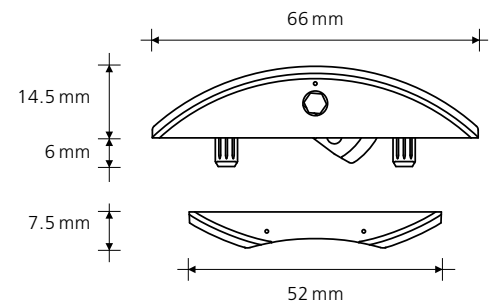
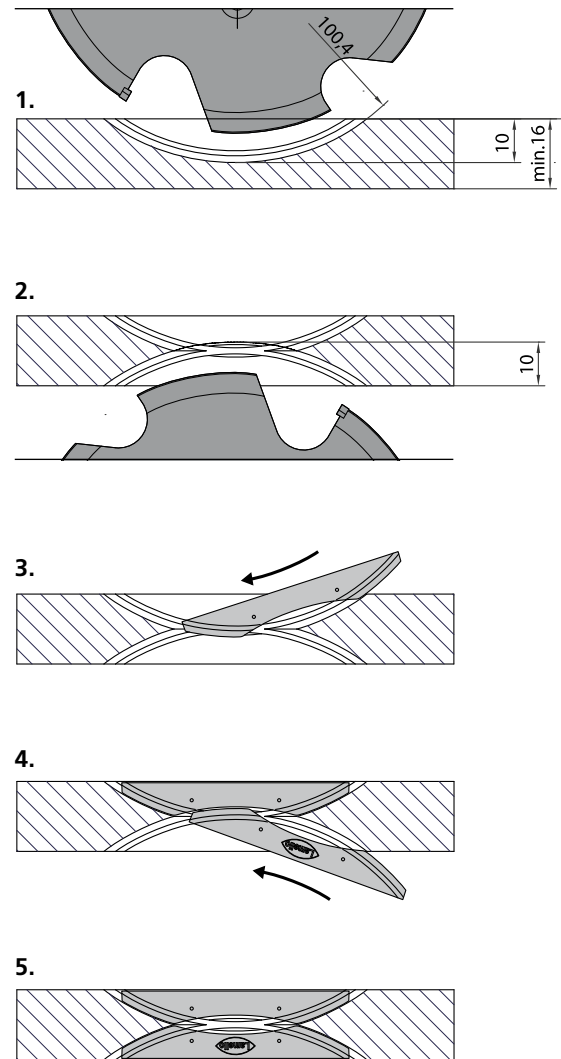
**Clamex P**, carton with  
 80 pairs ..... **145337**  
 300 pairs ..... **145342**  
 1000 pairs ..... **145352**



**Clamex P Medius**, carton with  
 80 pairs ..... **145377**  
 300 pairs ..... **145378**

**Material of connector:**  
 fibreglass reinforced plastic  
**Material of lever:**  
 zinc die cast  
**Installation tolerance:**  
 longitudinal  $\pm 1.0$  mm  
**Tensile strength:**  
 particle board  $\sim 600$  N = 60 kg  
 solid beech  $\sim 1200$  N = 120 kg

# How it works



Manufacturer:

**Lamello AG**  
**Joining technology**  
 Hauptstrasse 149  
 CH-4416 Bubendorf  
 Tel. +41 (0)61 935 36 36  
 Fax +41 (0)61 935 36 06  
 info@lamello.com  
 www.lamello.com