



DISPENSA 90° –
storage for easy access.



Huge storage **capacity**
and a clear **overview**.

Each tray or basket can be individually hung at a height to suit the contents, making DISPENSA 90° a flexible solution providing a lot of storage with a very small footprint. The entire height and width of the unit can be fully utilised. It makes best use of available space, and supports good organisation and fast access. All the contents, even on the topmost shelf, are in clear view – from either side!

See-through sides
for a clear view at all levels

Maximum load 100 kg

Low-profile button



Choice of trays/baskets

Metal baskets



ARENA Classic

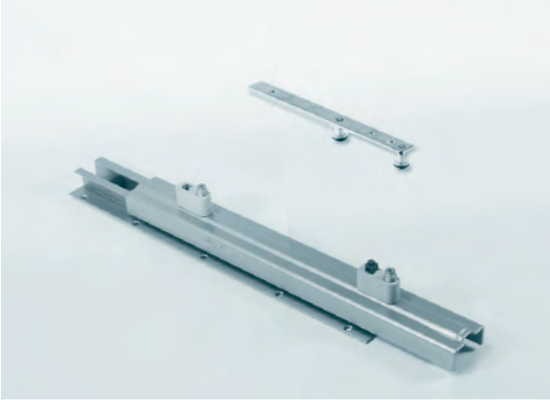


ARENA Style



ARENA Vario





Art. No.

05 4222

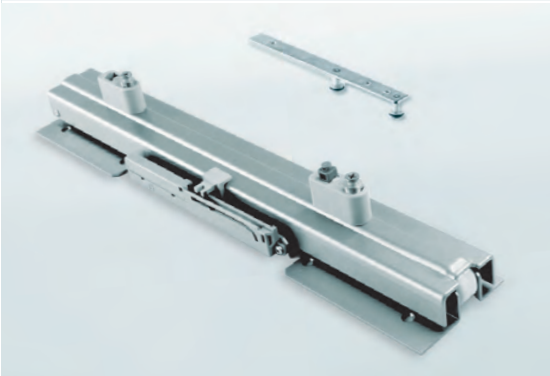
**Part-extension runner system
DISPENSA Vx**

for center suspension of larder unit
For loads up to: 100 kg

Standard with



Available epoxy-coated only!



06 4222

**Part-extension runner system
DISPENSA Vx**

for center suspension of larder unit
For loads up to: 100 kg

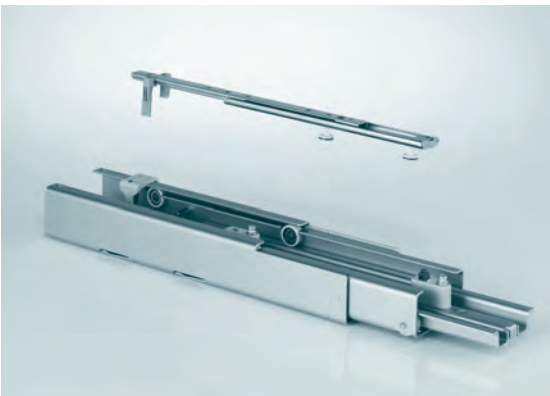
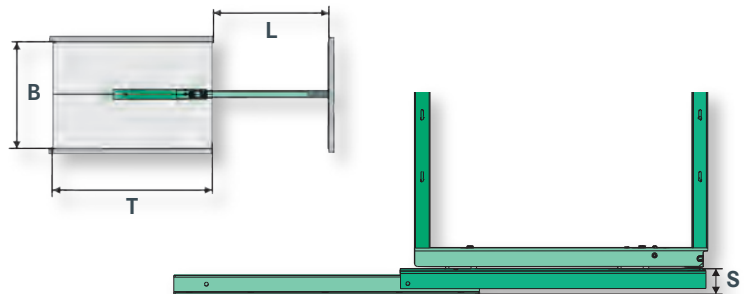
Standard with



Available epoxy-coated only!

DISPENSA Vx Part-extension runner

Frame height = inside cabinet height	-55 mm
S = height of bottom runner:	43 mm
B = inside cabinet width:	from 112 mm
T = inside cabinet depth:	≥ 500 mm
L = extension:	370 mm
Load:	≤ 100 kg



08 4235

**DISPENSA VVSx
Full-extension runner system**

reduced height
for center suspension of larder unit

Standard with



For loads up to: 100 kg

Standard with



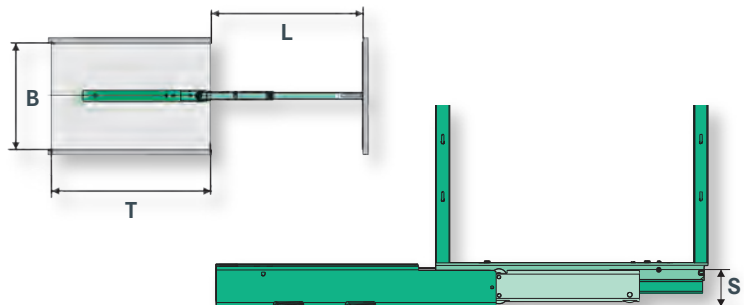
Available epoxy-coated only!

Standard with



**DISPENSA VVSx
Full-extension runner reduced height**

Frame height = inside cabinet height	-55 mm
S = height of bottom runner:	35 mm
B = inside cabinet width:	from 212 mm
T = inside cabinet depth:	≥ 500 mm
L = extension:	470 mm
Load:	≤ 100 kg



00 4243

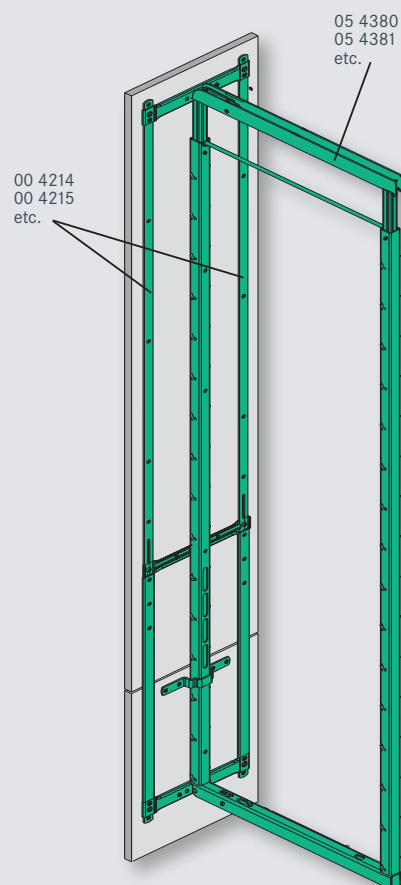
**SoftStopp Pro
Opening damper**



Option for DISPENSA VVSx full-extension
pull-out fitting with Synchronatic

Set combinations of frames and runner systems
Inside cabinet height for each runner system

Frames	Art. no.	VVSx and Vx
Frame, fixed height	05 4380	1727 mm
Front panel struts	00 4214	
Set 1 (frame + front struts)	23 2219	
Frame, height adjustable	05 4381	1200-1600 mm
Front panel struts	00 4215	
Set 2 (frame + front struts)	23 2220	
Frame, height adjustable	05 4382	1600-2000 mm
Front panel struts	00 4216	
Set 3 (frame + front struts)	23 2221	
Frame, height adjustable	05 4383	1900-2300 mm
Frontstrips	00 4217	
Set 4 (frame + front struts)	23 2222	



	Dimensions (mm)	Art. no.
Baskettray hooks DISPENSA	height: 125	00 4276
Set (2 pcs)		
for height-adjustable frames		

Use of ordering tray hooks (00 4276) for height adjustable frames

Frame Art. no.	Height-adjustable	Installation height		No. of sets	
		from	to		
05 4381	1200-1600 mm	1325	1449 mm	1	
			1450	1574 mm	2
			1575	1600 mm	3
05 4382	1600-2000 mm	1725	1849 mm	1	
			1850	1974 mm	2
			1975	2000 mm	3
05 4383	1900-2300 mm	2025	2149 mm	1	
			2150	2274 mm	2
			2275	2300 mm	3





Art. no. Dimensions (mm)

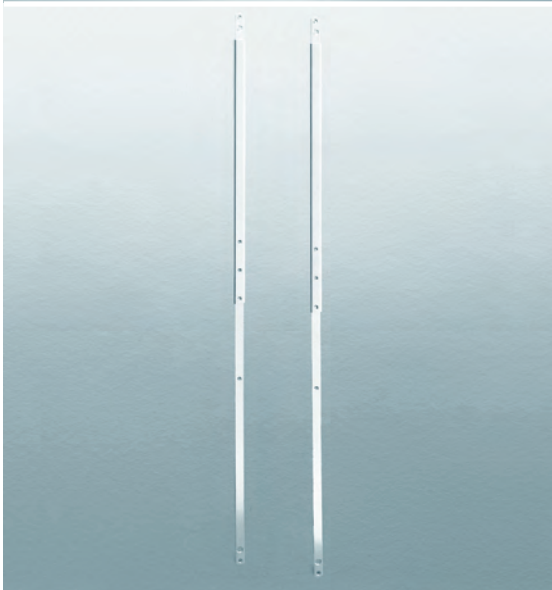
	Frame height
05 4381	1145-1545
05 4382	1545-1945
05 4383	1845-2245

Frame DISPENSA-x
height adjustable

Installation dimensions see page 1-A31,
table above

Available epoxy-coated only!

Frame and front struts also available as packaged sets
(see page 1-A31, table above)



	Frame height
00 4215	1165-1565
00 4216	1565-1965
00 4217	1865-2265

Frontstrip DISPENSA
height adjustable
set (2 pcs)

Available epoxy-coated only!

Frame and front struts also available as packaged sets
(see page 1-A31, table above)



05 4380	Frame height 1672
----------------	----------------------

Frame DISPENSA-x

Installation dimensions see page 1-A31,
table above

Available epoxy-coated only!

Frame and front struts also available as packaged sets
(see page 1-A31, table above)



00 4214	WxDxH 20 x 3 x 1692
----------------	------------------------

Front strut DISPENSA

set (2 pcs)

Available epoxy-coated only!

Frame and front struts also available as packaged sets
(see page 1-A31, table above)

Dimensions (mm) **Art. no.**
Front brackets DISPENSA-x

(2 pcs)

for cabinet width:		width	
	150 mm	107 mm	23 3551
	250 mm	200 mm	05 4369
	300 mm	250 mm	05 4366
	400 mm	350 mm	05 4367
	450 mm	400 mm	05 4368
	500 mm	450 mm	05 4373
	600 mm	550 mm	05 4374

Available epoxy-coated only!


Stabilizer

for filler fronts

for cabinet width:		width	
	300 mm	250 mm	00 4220
	400 mm	350 mm	00 4221

Available epoxy-coated only!


Front panel stabilizer

install at any height

WxDxH	
160 x 28 x 20	00 4350

Available epoxy-coated only!


Stabilizing bar

for side width:

268	00 4357
368	00 4358


Transport clip

Secures trays and baskets during transport

00 1999




Art. no. Dimensions (mm)

	WxDxH	
23 3498	100 x 462 x 94	150 mm
05 4387	200 x 462 x 106	250 mm
05 4385	250 x 462 x 106	300 mm
05 4386	350 x 462 x 106	400 mm
05 4390	400 x 462 x 106	450 mm
05 4395	450 x 462 x 106	500 mm
05 4396	550 x 462 x 106	600 mm

Hook-on tray ARENA Style

for cabinet width:

On request with
ARENA^{plus}
anti-slip finish



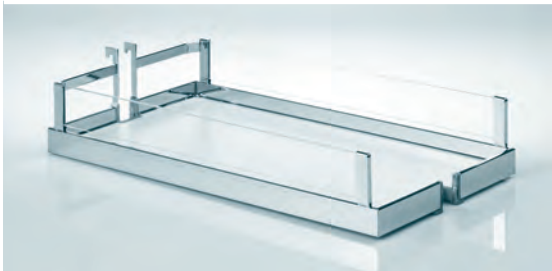
23 3355
05 4355
05 4356

Divider for ARENA Style

for trays

for cabinet width:

150 mm
300 mm
400 mm

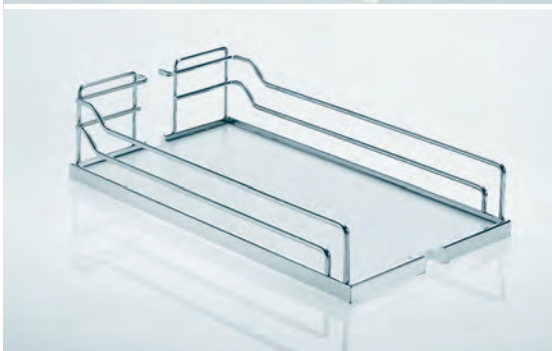


	WxDxH	
00 4450	250 x 462 x 106	300 mm
00 4451	350 x 462 x 106	400 mm

Hook-on tray ARENA Vario

for cabinet width:

On request with
ARENA^{plus}
anti-slip finish

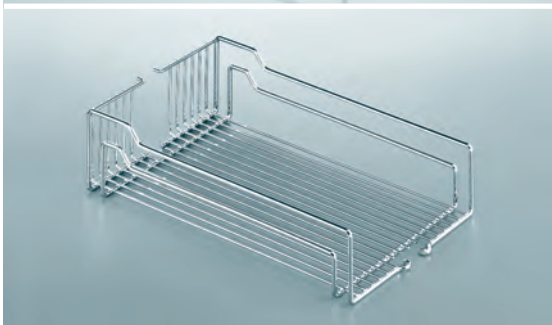


	WxDxH	
23 3550	100 x 462 x 94	150 mm
00 4387	200 x 462 x 106	250 mm
00 4385	250 x 462 x 106	300 mm
00 4386	350 x 462 x 106	400 mm
00 4390	400 x 462 x 106	450 mm
00 4395	450 x 462 x 106	500 mm
00 4396	550 x 462 x 106	600 mm

Hook-on tray ARENA Classic

for cabinet width:

On request with
ARENA^{plus}
anti-slip finish



	WxDxH	
00 1975	200 x 467 x 110	250 mm
00 1996	250 x 467 x 110	300 mm
00 1997	350 x 467 x 110	400 mm
00 1978	400 x 467 x 110	450 mm
00 1979	450 x 467 x 110	500 mm
00 1982	550 x 467 x 110	600 mm

Hook-on metal basket DISPENSA

for cabinet width:



23 3554
00 4355
00 4356

Divider for ARENA Classic and metal basket

for cabinet width:

150 mm
300 mm
400 mm



	WxDxH	
00 4361	238 x 450 x 12	300 mm (Art. 00 1996)
00 4362	338 x 450 x 12	400 mm (Art. 00 1997)

Plastic dish

fits into metal baskets

for cabinet width:



The top of the frame is positioned at the top of the front panel



The bottom is slid into place and - click!



The runner is snapped onto the frame - click! Then the whole fitting is pushed into the cabinet. Done!

Fast assembly.

A couple of clicks do the trick.





Fast adjustment.
No special tools required.



Just a standard PZ2 screwdriver and two setting screws – at the top and bottom of the frame – simplify fine adjustment.

Turning the screws has an immediately visible effect. This makes adjustment quicker and easier – and also much more precise. And all it takes is a screwdriver!

